

November 18, 1997

Baldwin BT287 Family Gaskets

Baldwin Filters has received numerous inquiries regarding the gaskets for the BT287 family of filters. This family includes the BT287, 287-10; BT345 KIT; BT387, 387-10; BT388, 388-10; BT389, 389-10; BF1239; B7011; BF7571; BF7623; BT8307-MPG; BT8308-MPG; BT8309-MPG; BT8310-MPG; and the BT8368.

The gaskets for this family of filters have been designed to cover the diverse mounting heads available. Table 1 provides information to help determine which gasket is appropriate for which filter

mounting base. The G369-A, G372, and G483 gaskets are designed to fit within the filter's mounting base, not the filter itself. Please see below for an illustration depicting the gaskets and their arrangements.

Refer to our Worldwide Cross-Reference Guide and our Worldwide Filter Applications Guide to determine the standard gaskets for each filter and to determine which filter assembly should be used for certain applications.

Gasket	Applications	See Figure
G286-C	"L" shaped gasket. Fits onto the filter and is used with Baldwin hydraulic bases and other bases with a groove wider than 0.240 inches.	1
G369-A	Standard gasket. Identified by a blue stripe. Fits onto bases with a groove 0.180 inches to 0.210 inches wide.	2
G372	Case applications. Identified by a yellow stripe. Fits onto bases with a groove 0.200 inches to 0.225 inches wide	2
G483	Used in the BT345 KIT (Case applications). Fits onto bases with a groove less than 0.180 inches wide.	2
G447	O-ring gasket. Fits inside the filter in the corner of the seaming lid. Used in conjunction with Donaldson bases.	3

Continued on Page 2

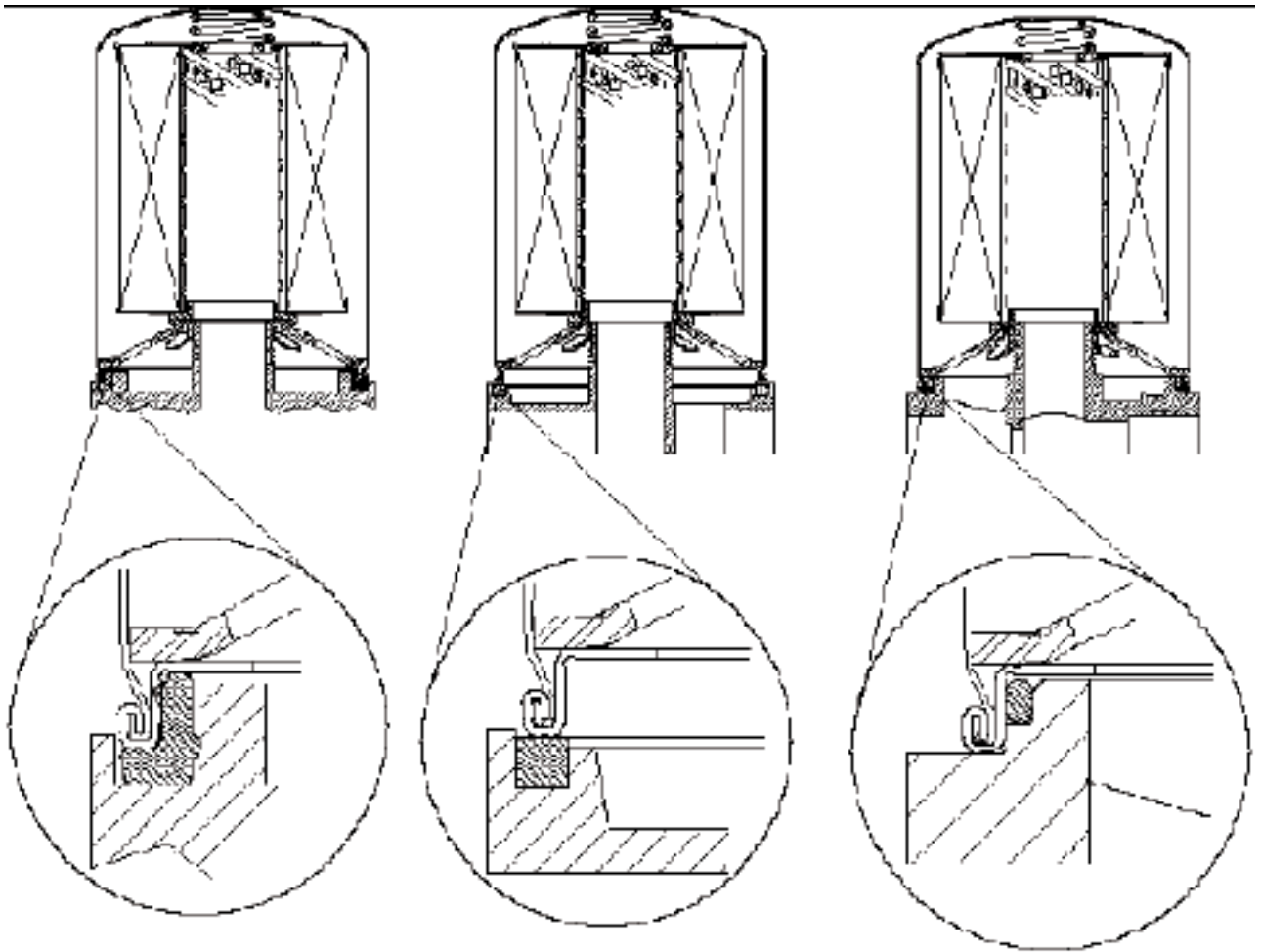
**If you have further questions,
please contact our
Service Engineering Team at (800) 822-5394.**



WARNING: These products can expose you to chemicals, including Diisononyl Phthalate, Carbon black extracts, Nickel, 1,3 Butadiene, Ethylene Oxide, Epichlorohydrin, which are known to the State of California to cause cancer, and Bisphenol-A, Ethylene Glycol, Ethylene Oxide, 1,3 Butadiene, Epichlorohydrin, which are known to the State of California to cause birth defects or other reproductive harm. For more information go to www.P65Warnings.ca.gov.

***Installation Tips:**

For gaskets installed into the mounting head, be sure the old gasket is removed prior to installation of the new gasket. Apply a thin coat of grease on these gaskets to help retain them in the mounting head during assembly.



G286-C



G372



G369-A



G483



G447